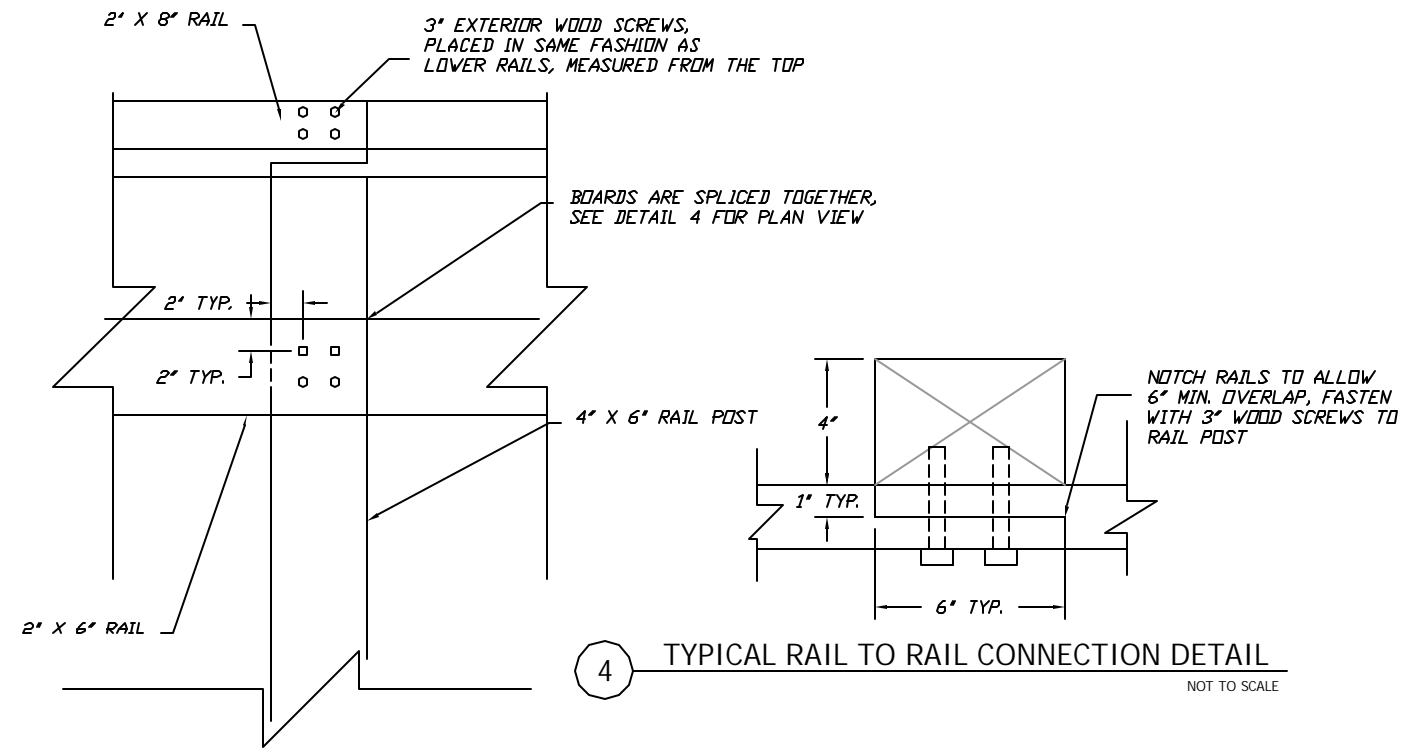
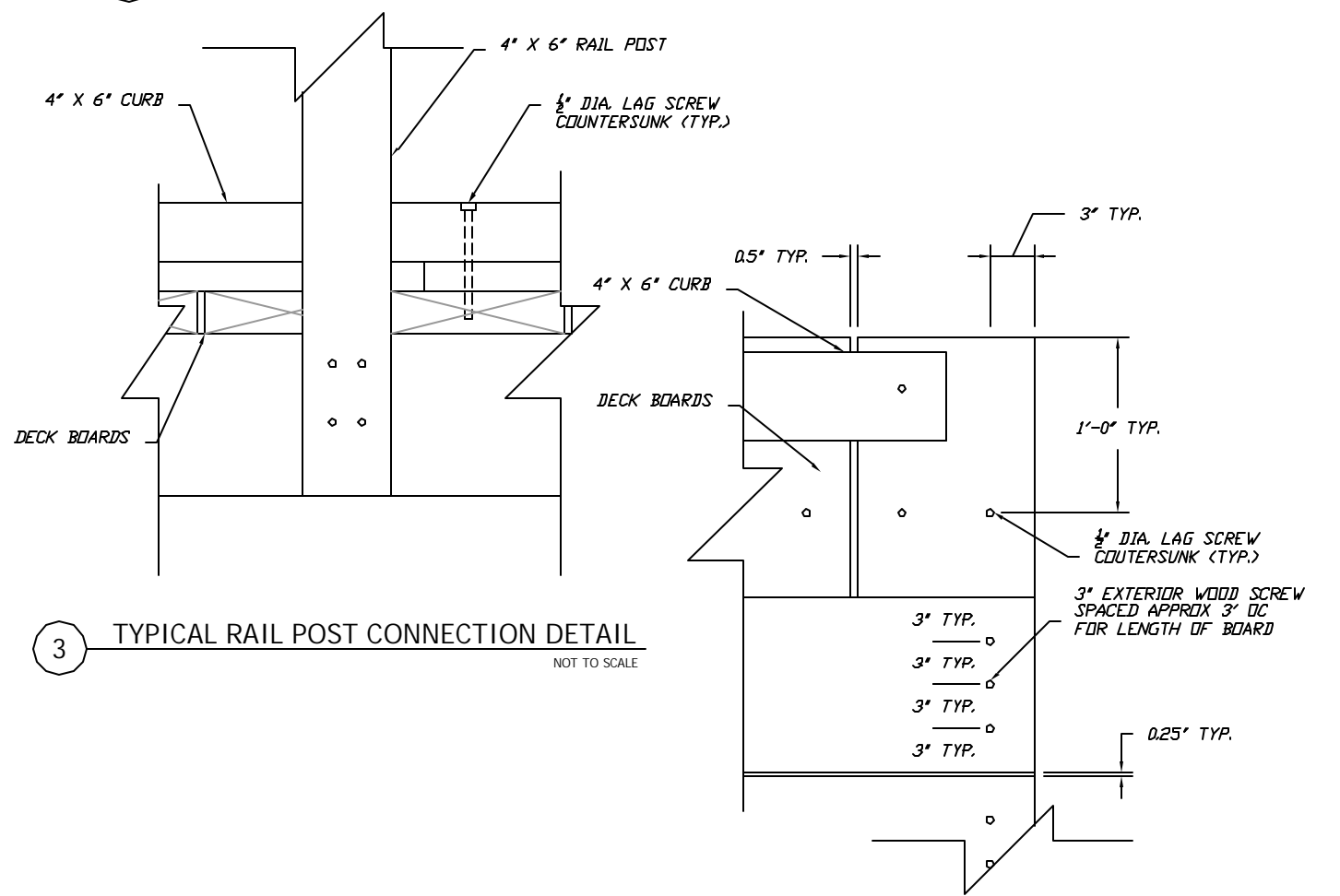


1 TYPICAL BRIDGE CROSS SECTION
NOT TO SCALE



2 TYPICAL RAIL TO POST CONNECTION DETAIL
NOT TO SCALE



3 TYPICAL RAIL POST CONNECTION DETAIL
NOT TO SCALE

5 TYPICAL BRIDGE DECK CONNECTION DETAIL
NOT TO SCALE

MATERIALS			
ITEM	QUANTITY	PRICE	TOTAL
12" DIA NATIVE STRINGERS	3	-	-
12"x12"x8' SILL	2	\$184.80	\$369.60
4"x12"x12' DECKING	12	\$69.60	\$835.20
2"x12"x16' WEAR SURFACE	5	\$29.97	\$149.85
4"x6"x8' CURB	6	\$14.97	\$89.82
4"x6"x10' RAIL POSTS	3	\$33.00	\$99.00
2"x8"x10' RAIL	3	\$9.97	\$29.91
2"x6"x8' BACKING PLATE	7	\$5.97	\$41.79
2"x6"x12' SCUPPERS	2	\$9.97	\$19.94
2"x6"x12' RAIL	5	\$9.97	\$49.85
#6 REBAR	14 LF	\$0.25	\$42.00
1/2" DIA 8" LAG SCREWS	7 BOXES (APPROX. 175)	\$67.24	\$470.68
1/2" DIA 12" LAG SCREWS	1 BOX (APPROX.)	\$51.89	\$51.89
3" EXTERIOR WOOD SCREWS	(1) 5 LB BOX	\$25.64	\$25.64
3/4" DIAMETER 10' THREADED ROD	1	\$40.00	\$40.00
GEUCCELL FOUNDATION COPPER	1 PANEL	\$115.00	\$115.00
NAPHTHENAT	3 GAL	\$50.00	\$150.00

- TOTAL PRICE: \$2,580.17
- THIS PRICE DOES NOT INCLUDE SALES TAX
- SOME MATERIALS MAY NEED TO BE PRE-ORDERED
- PRICES ARE GOOD FOR 6/16/08 ONLY
- MOST MATERIALS CAN BE OBTAINED FROM HOME DEPOT
- OTHER SUPPLIERS ARE BMC WEST, DRILLSPOT, FASTENAL, FASTNERS SUPERSTORE
- NO EXCESS MATERIAL FACTOR HAS BEEN APPLIED
- SOME PRICES MAY VARY DEPENDING ON LOCATION

U.S. DEPARTMENT OF AGRICULTURE
FOREST SERVICE
R-2
ROCKY MOUNTAIN REGION

Drawn: B. JESSIE
Design: B. JESSIE
Checked: J. RUIBAL

TITLE	PROJECT
MISC. DETAILS 1 AND COST ESTIMATE	LITTLE RAVEN TRAIL BRIDGE
ARAPAHO & ROOSEVELT NATIONAL FOREST	
FILE NAME: SITE PLOT SCALE: NOT TO SCALE	

SHEET NO. 5 OF 7